



# MAINTENANCE KIT INSTRUCTIONS

## HORIZONTAL 5.5 – 6.5 HP ENGINES



### Horizontal 5.5 – 6.5 HP, Engines

#### Draining Oil

- Start engine and run until warm. Stop engine.
- ⚠️ Disconnect spark plug wire to prevent accidental starting.
- Clean around oil fill. Remove dipstick, if equipped.
- Remove oil drainplug and capture waste oil in an approved container, Fig. 1. Dispose of waste oil properly. Replace oil drainplug and tighten. Oil may be drained from oil fill tube by tipping engine with air cleaner or spark plug side up.
- Oil capacity is approximately 20 oz. or (.6 ltrs.) Fill to full mark on dipstick. *(Always check and maintain oil level regularly.)*
- Use Briggs & Stratton certified SAE 30 oil, part number 100005, 20 oz (.6 ltrs.).

*(Change oil every 50 hours or every season, every 25 hours if operating under heavy load or in high temperatures.)*

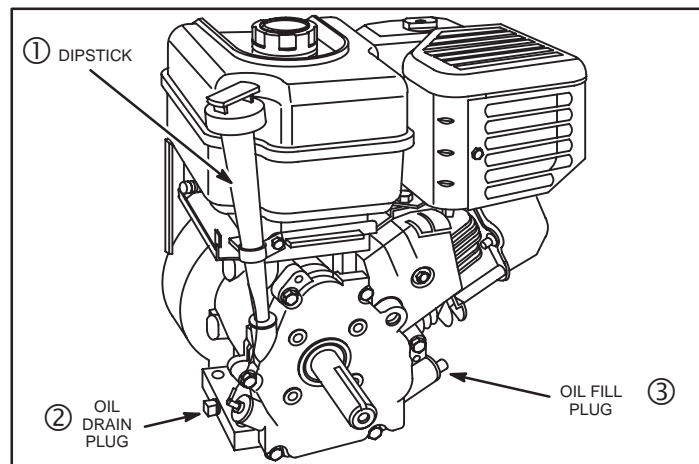


Fig. 1

#### Replacing Spark Plug

- Before installing new spark plug, check gap and set to 0.030 in. (0.76 mm) if required, see Fig. 2.
- Install spark plug finger tight. Then tighten 1/4 to 1/3 turn more with socket and wrench.

*(Replace spark plug after 100 hours or every season.)*

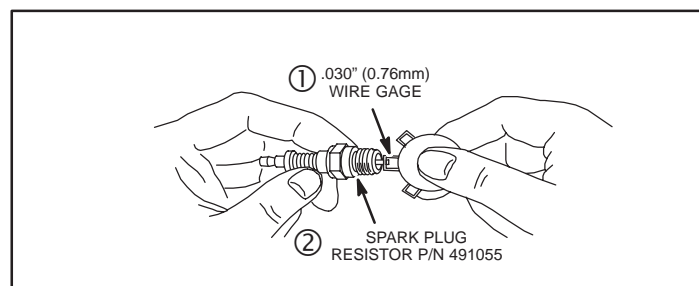


Fig. 2

#### Replace and Install Foam Pre-Cleaner and Paper Cartridge Air Filter

- Remove one (1) or two (2) knobs or wing nuts (according to style) and air cleaner cover.
- Remove both old pre-cleaner and cartridge from engine and discard properly. Do not attempt to clean old cartridge with petroleum solvents or pressurized air, Fig. 3 or 4.
- Saturate pre-cleaner with fresh engine oil, Fig. 4A. Wrap in clean cloth and squeeze to remove excess oil, Fig. 4B. Do not oil pre-cleaners that are imprinted "Do not oil."
- Slide pre-cleaner on cartridge and install assembly on air cleaner base.
- Reassemble all hardware properly insuring a tight seal around base of air cleaner cartridge.

*(Replace cartridge every 25 hours or every season, more often if operating under dusty conditions.)*

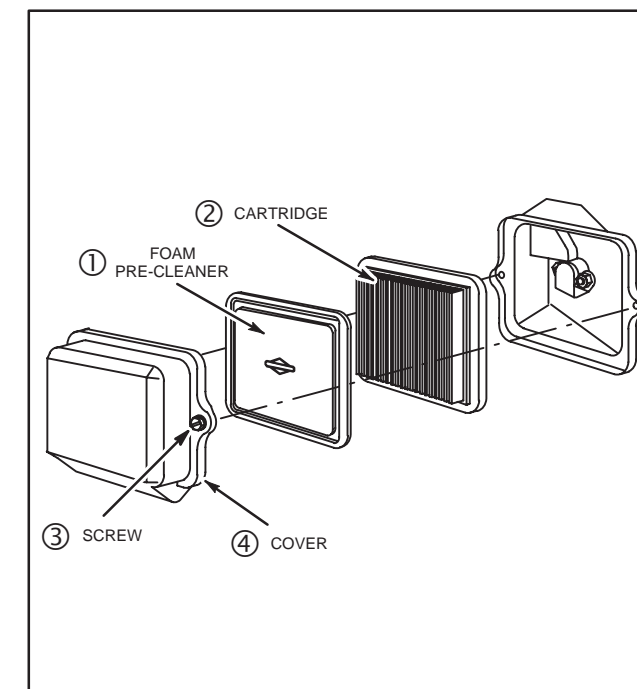


Fig. 3

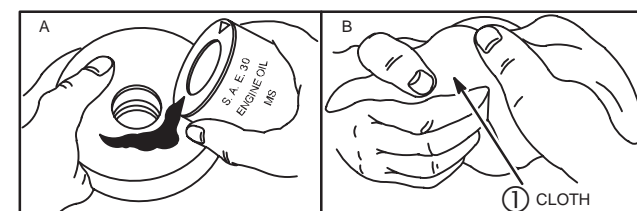


Fig. 4

#### Gasoline Additive

- See Instructions for gasoline additive on single pouch part number 100031.
- See your Authorized Briggs & Stratton service center for the larger 4.2 oz. bottle of gasoline additive, part number 5041 or 100002, see Fig. 5.

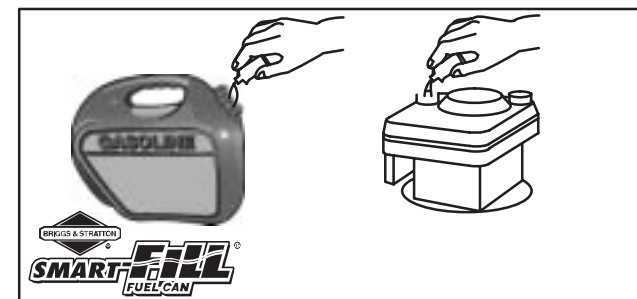


Fig. 5